

auto electrical parts

Technical Information Sheet

Part No. 0-605-47

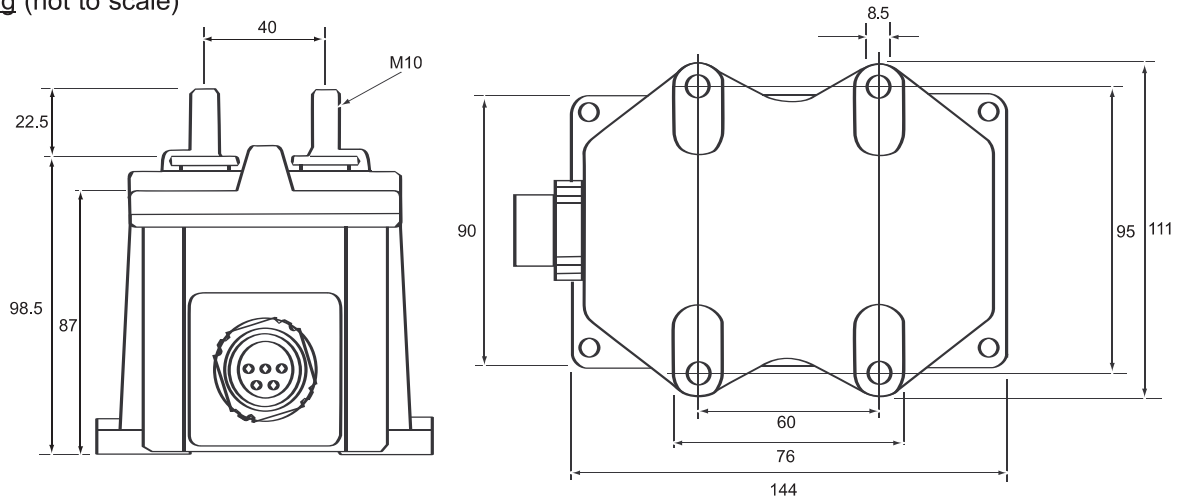
Battery isolator, 24 volt, double pole, remote electrical switch for the drivers cab with a 30 second delay cut-off and 10 second emergency delay. Additional remote chassis switches can be used with this unit. Rated 250 amps continuous and 2,500 amps for 5 seconds. Meets ADR2003/05 regulations and complies with the requirements of Institute of Petroleum. Protected to IP67.

Battery isolator supplied with:

- Connector, 10NW tubing outlet.
- 4 x stud terminal covers, max cable size 70mm², 22NW tubing outlet.
- Drivers cab toggle switch with protective cover.



Technical Drawing (not to scale)



Specification

Type	Battery isolator switch, double pole
Application	24 volt
Maximum continuous	250 A
Maximum intermittent	2500 A (5 sec)
Isolator switching current (max)	4.9 A
Auxillary contact current (max)	2 A
Ignition initiated cut-off delay	30 sec
Emergency initiated cut-off delay	10 sec
Terminal contacts	Silver plated copper
Connecting studs	Tin-plated brass, M10
Connecting nuts	Brass
Tightening torque M10 nuts	20Nm
Protection	IP67
Operating temperature	-40°C to + 85°C
Weight	1.62Kg

The information contained in this document is correct to the best of our knowledge at the time of printing. However, specifications may change at any time without notice.